



IPL, Automower 310/315, 2016-01, 582 21 86-01

310/315

2016

Spare parts

Ersatzteile

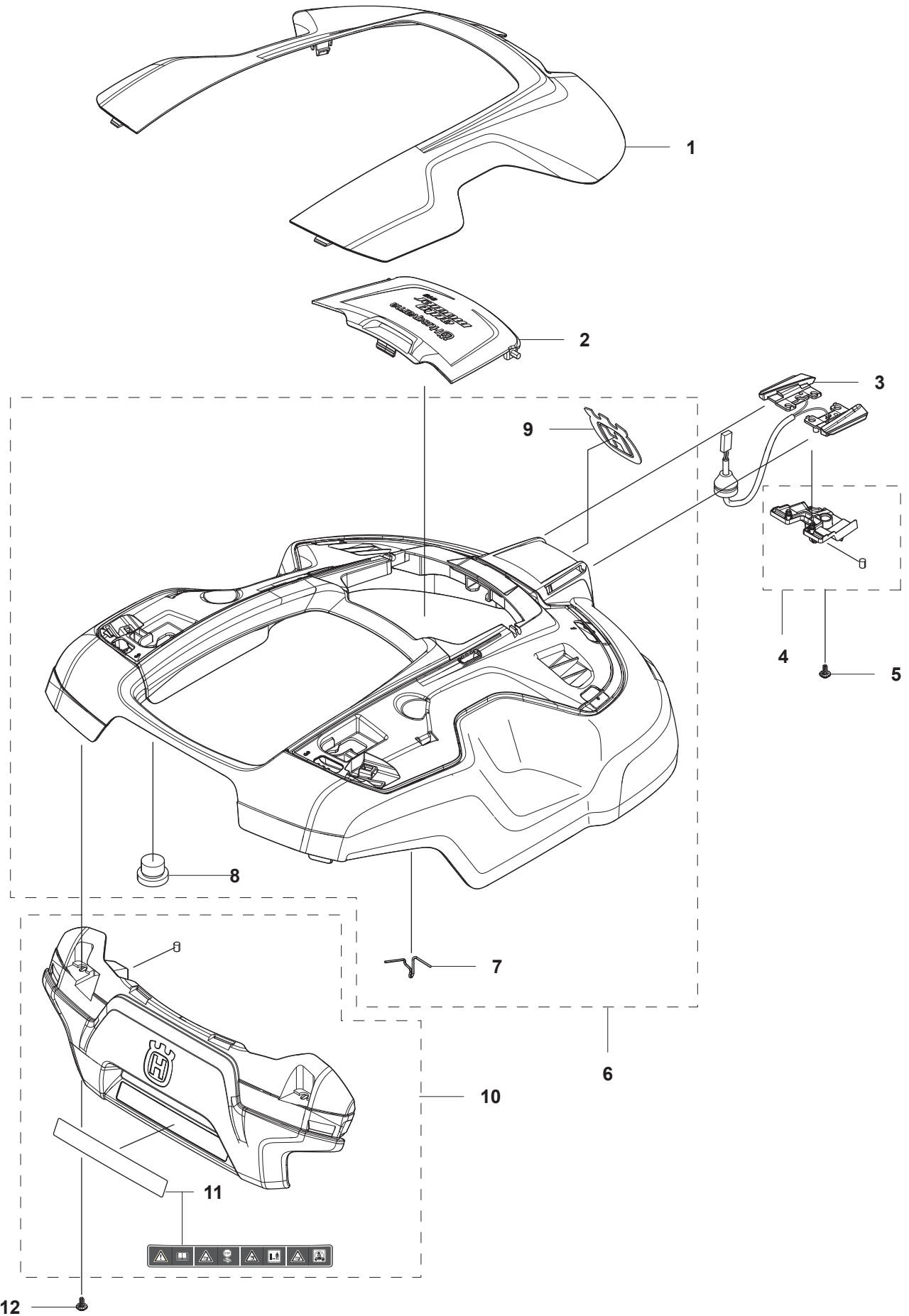
Pièces détachées

Reserve onderdelen

Repuestos

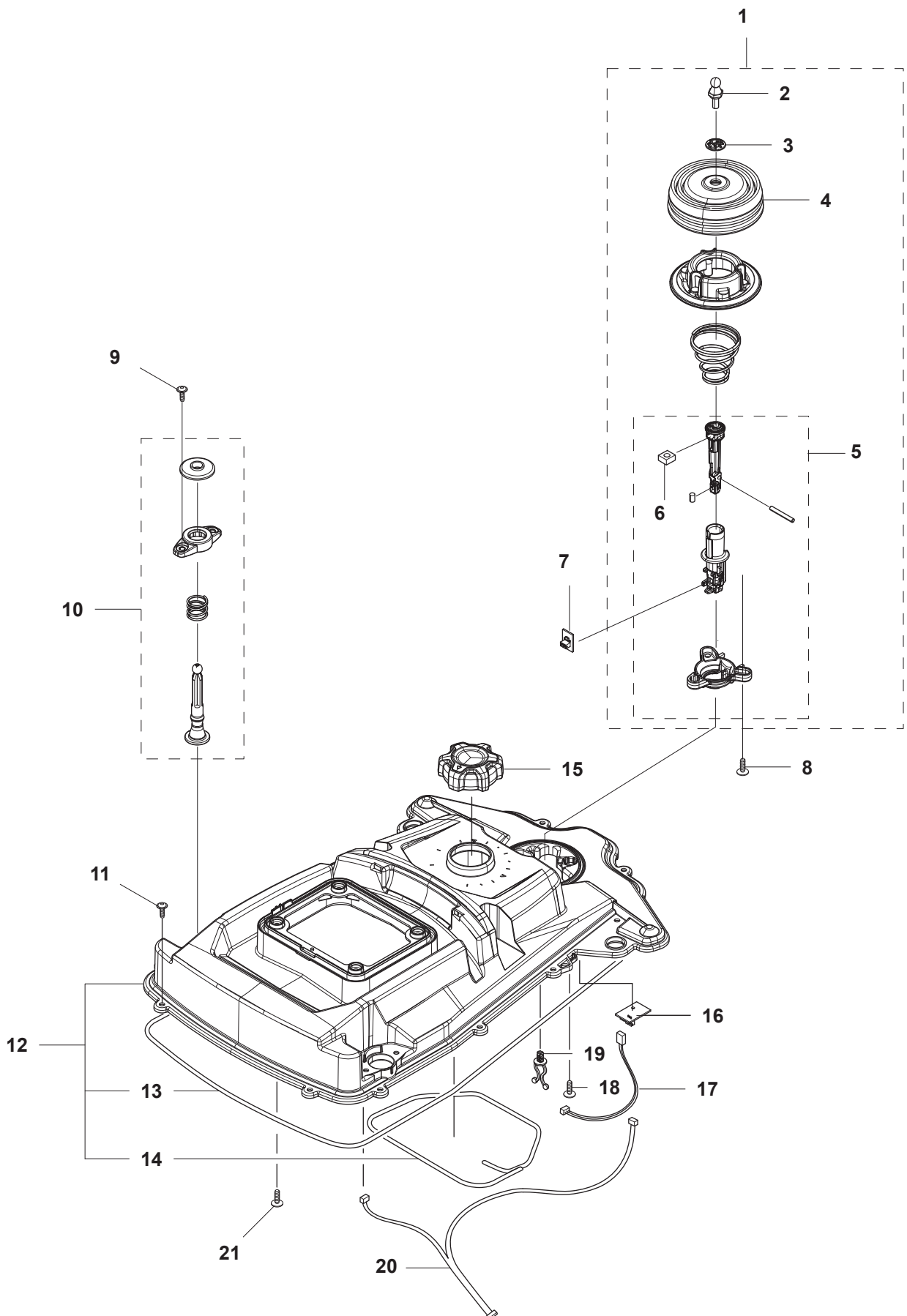
Reservdelar

A AUTOMOWER 310, 315 COVER



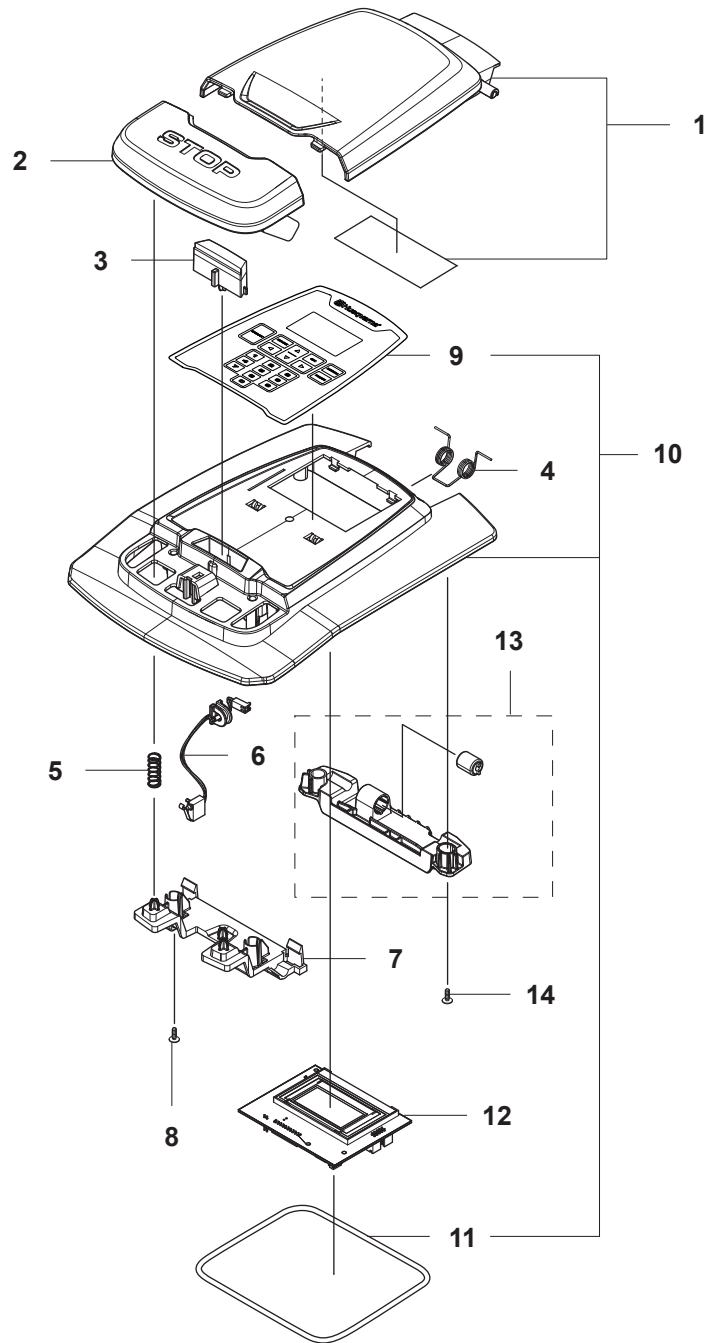
PAGE A 310, 315		COVER		
Position	Article	Quantity	Notes	Kit / Assy
1	587 23 58-01	1	Top Cover Grey	
1	587 23 58-02	1	Top Cover White	
1	587 23 58-03	1	Top Cover Orange	
2	585 53 81-01	1	Hood 310	
2	585 53 81-02	1	Hood 315	
3	585 53 92-02	1	Charging Plate Wiring	
4	587 44 86-01	1	Holder KIT	
5	574 45 01-01	1	Screw	
6	587 44 85-01	1	Body ASSY	
7	587 41 94-02	1	Spring Hood	6
8	580 52 68-01	3	Cap Snaploc	6
9	574 38 21-01	1	Crown	6
10	587 44 87-01	1	Bumper ASSY	
11	586 35 97-01	1	Label Warning	10
12	574 45 01-01	2	Screw	

B AUTOMOWER 310, 315
CHASSIS UPPER



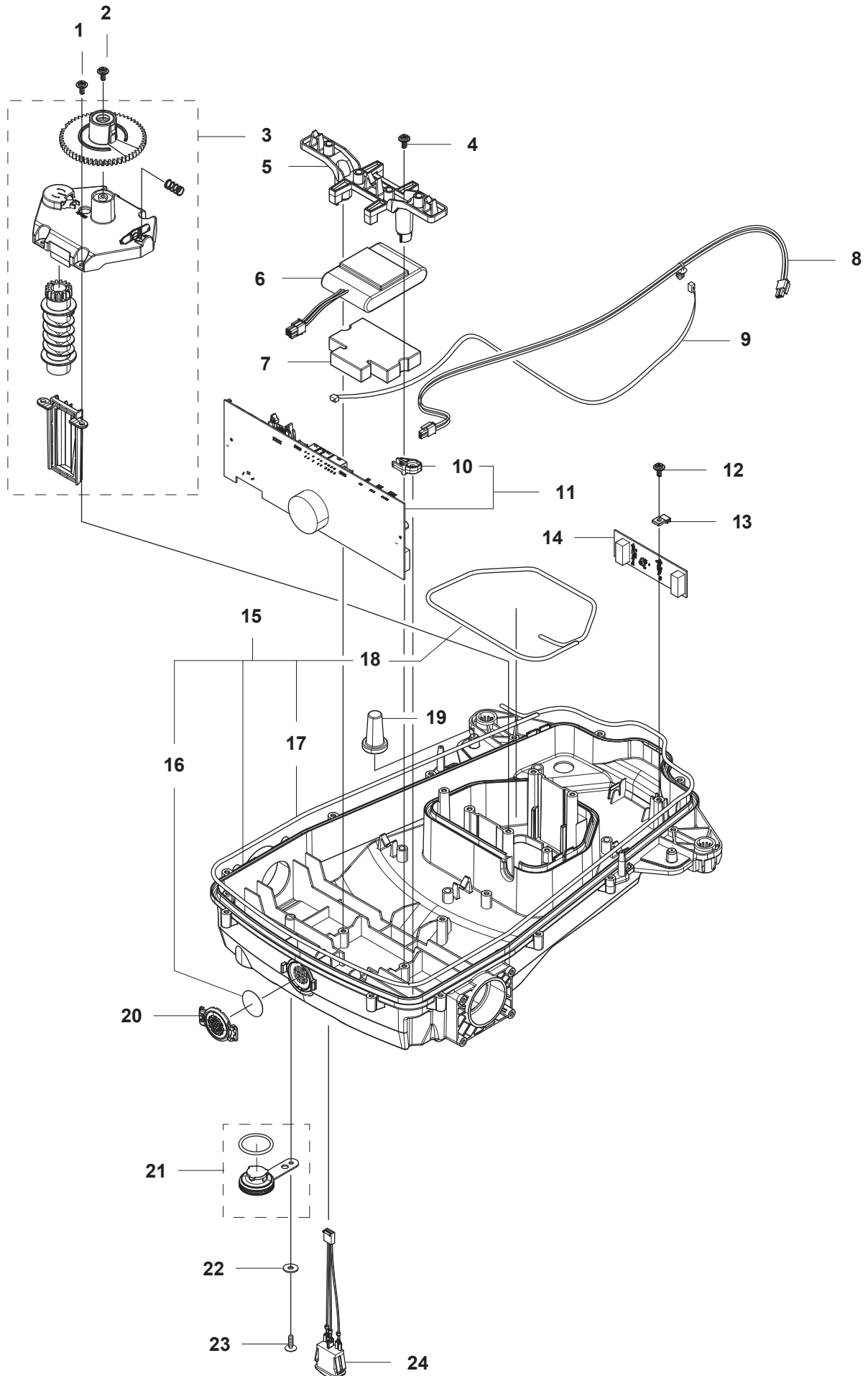
PAGE B 310, 315		CHASSIS UPPER		
Position	Article	Quantity	Notes	Kit / Assy
1	581 62 09-03	1	Joystick KIT Front	
2	580 52 67-01	1	Stud	1
3	579 52 57-01	1	Washer	1
4	579 47 46-01	1	Bellows	1
5	587 44 88-02	1	Joystick ASSY	1
6	503 22 66-01	1	Square Nut	1,5
7	579 66 90-01	1	PCBA Lift Sensor	
8	575 54 33-14	3	Screw	
9	574 45 01-01	4	Screw	
10	501 10 62-01	2	Joystick KIT Rear	
11	574 45 01-01	12	Screw	
12	587 44 89-02	1	Chassis KIT	
13	588 61 60-02	1	Sealing 10 pcs Note: For warranty claims, please use part number for 1 pcs, see SB	
14	588 61 61-01	1	Sealing 10 pcs Note: For warranty claims, please use part number for 1 pcs, see SB	
15	585 28 14-01	1	Knob	
16	584 96 90-01	1	PCBA Collision Sensor	
17	585 20 85-01	1	Loom Lift-Collision	
18	574 45 01-01	3	Screw	
19	580 68 29-01	3	Holder Twist Lock	
20	588 79 78-01	1	Loom	
21	574 45 01-01	4	Screw	

C AUTOMOWER 310, 315
CENTER CONSOL



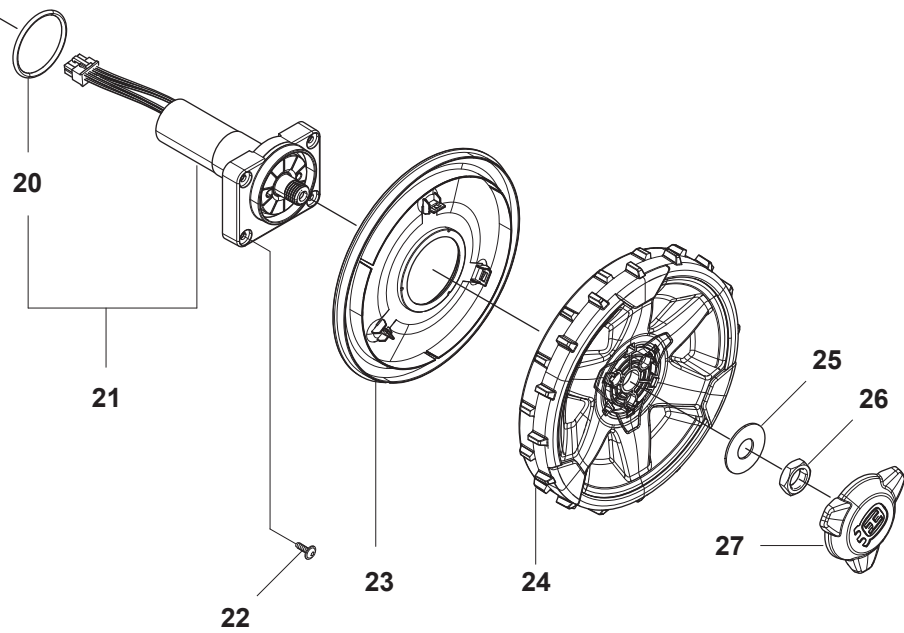
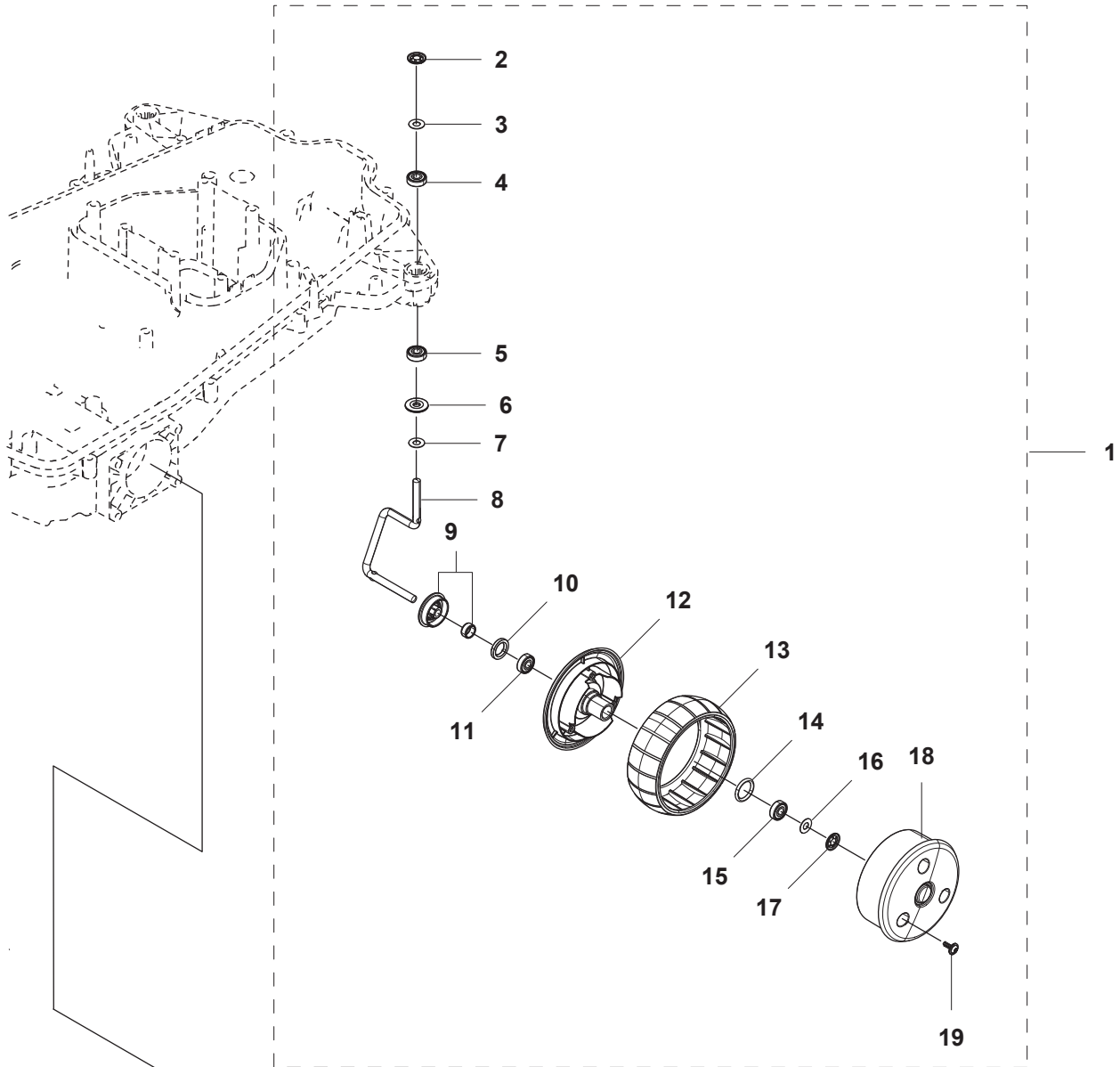
PAGE C 310, 315		CENTER CONSOL		
Position	Article	Quantity	Notes	Kit / Assy
1	587 65 13-01	1	Hatch KIT	
2	585 27 56-01	1	Stop Button	
3	585 27 59-01	1	Lock	
4	585 25 54-01	1	Torsion Spring	
5	576 24 22-01	3	Spring	
6	574 48 03-02	1	Switch	
7	585 27 57-01	1	Support Rear	
8	575 54 33-14	2	Screw	
9	584 97 45-01	1	Keyboard 2.1" Display 310	10
9	584 97 46-01	1	Keyboard 2.8" Display 315	10
10	587 44 90-01	1	Cover KIT 2.1" Display 310	
10	587 44 90-02	1	Cover KIT 2.8" Display 315	
11	588 61 61-01	1	Sealing 10 pcs Note: For warranty claims, please use part number for 1 pcs, see SB	
12	588 64 17-01	1	PCBA MMI 2.1" Display 310	
12	588 64 18-01	1	PCBA MMI 2.8" Display 315	
13	501 10 61-01	1	Support KIT	
14	575 54 33-14	2	Screw	

D AUTOMOWER 310, 315
CHASSIS LOWER



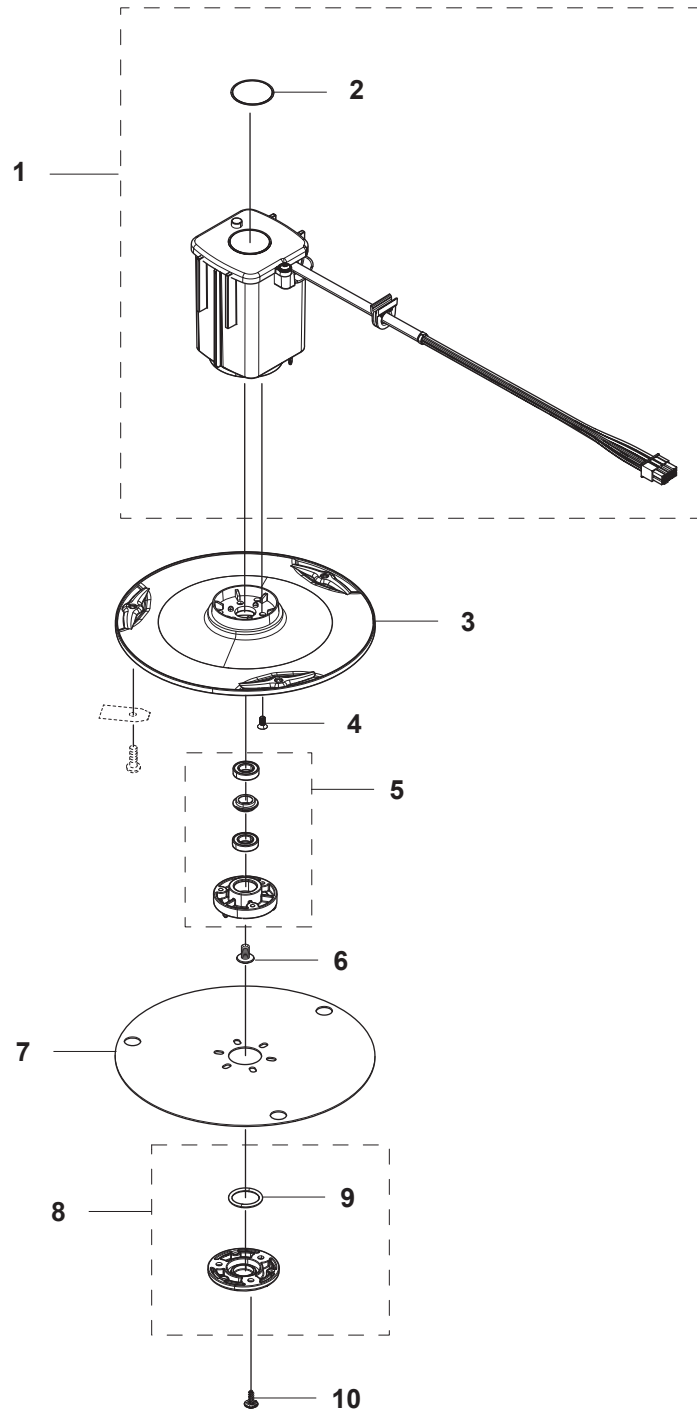
PAGE D 310, 315		CHASSIS LOWER		
Position	Article	Quantity	Notes	Kit / Assy
1	574 45 01-01	1	Screw	
2	574 45 01-01	4	Screw	
3	501 10 66-01	1	Cover KIT	
4	574 45 01-01	2	Screw	
5	585 30 47-01	1	Holder Battery	
6	584 85 28-01	1	Battery	
7	587 24 96-01	1	Weight	
8	585 53 90-01	1	Loom Charging	
9	579 70 82-01	1	Loom Loop Sensor	
10	585 53 83-01	2	Clips	
11	588 77 90-03	1	Main Board	
12	574 45 01-01	1	Screw	
13	579 52 94-01	1	Clamp	
14	588 90 30-01	1	Sensor Board	
15	587 44 92-01	1	Chassis Lower KIT	
16	577 75 37-01	1	Air Filter	
17	588 61 60-02	1	Sealing 10 pcs Note: For warranty claims, please use part number for 1 pcs, see SB	
18	588 61 61-01	1	Sealing 10 pcs Note: For warranty claims, please use part number for 1 pcs, see SB	
19	586 34 26-01	2	Pillar	
20	586 03 89-01	1	Cover Filter	
21	581 62 12-02	1	Plug KIT	
22	734 11 37-41	1	Washer	
23	574 45 01-01	1	Screw	
24	579 70 87-01	1	Loom On-Off	

E AUTOMOWER 310, 315
WHEELS & TIRES



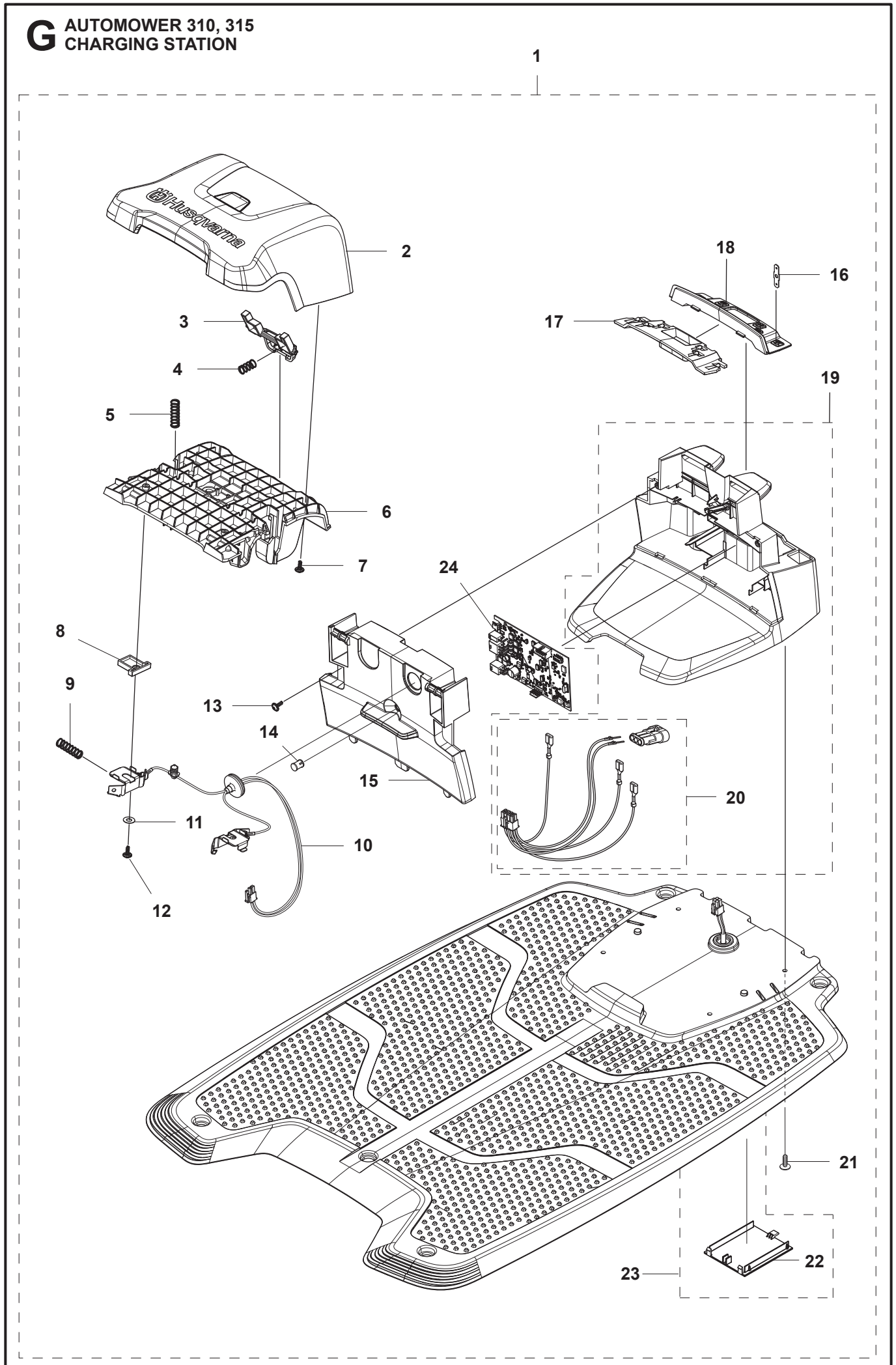
PAGE E 310, 315		WHEELS & TIRES		
Position	Article	Quantity	Notes	Kit / Assy
1	587 65 19-01	2	Front Wheel Assy	
2	576 01 94-01	2	Lock Washer	1
3	585 19 68-01	2	Washer	1
4	585 21 42-01	2	Ball Bearing	1
5	585 21 42-01	2	Ball Bearing	1
6	535 08 78-02	2	Washer	1
7	585 19 68-01	2	Washer	1
8	585 18 72-01	2	Spindle	1
9	587 44 93-01	2	Shield KIT	1
10	580 48 71-01	2	Sealing	1
11	585 21 42-01	2	Ball Bearing	1
12	579 45 71-01	2	Wheel Inside	1
13	574 44 98-01	2	Wheel Tyre	1
14	580 44 51-01	2	O-ring	1
15	585 21 42-01	2	Ball Bearing	1
16	585 19 68-01	2	Washer	1
17	576 01 94-01	2	Lock Washer	1
18	579 45 72-01	2	Wheel Outside	1
19	575 54 33-14	6	Screw	1
20	580 44 39-02	2	O-ring	21
21	587 44 94-02	1	Motor ASSY	
22	574 45 01-01	8	Screw	
23	585 06 56-01	2	Cover - Rear Wheel	
24	585 06 61-01	2	Rear Wheel	
25	586 21 06-01	2	Washer	
26	731 43 24-01	2	Thin Nut	
27	579 50 55-02	2	Hub Cap	

F AUTOMOWER 310, 315
BLADE MOTOR & CUTTING EQUIPMENT



Page F 310, 315 BLADE MOTOR & CUTTING EQUIPMENT				
Position	Article	Quantity	Notes	Kit / Assy
1	501 84 37-01	1	Motor ASSY	
2	577 75 37-01	10	Air Filter	1
3	585 29 69-01	1	Cutting Disk	
4	535 13 05-01	3	Screw	
5	588 42 17-01	1	Bearing Housing ASSY	
6	535 07 60-01	1	Screw	
7	585 29 70-01	1	Skid Plate	
8	587 44 96-01	1	Bearing Cover	
9	585 29 75-01	1	O-Ring	8
10	575 54 33-14	3	Screw	

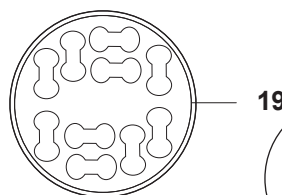
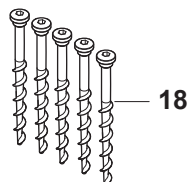
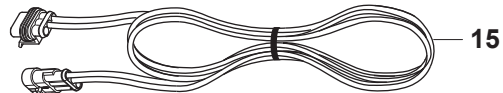
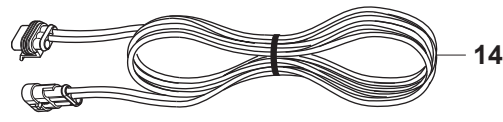
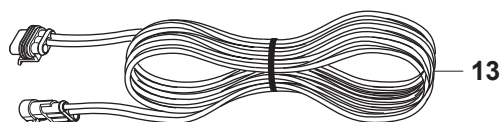
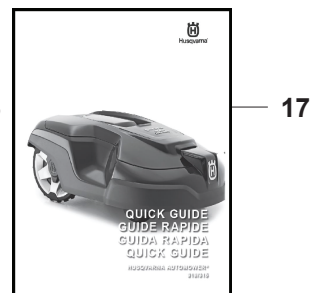
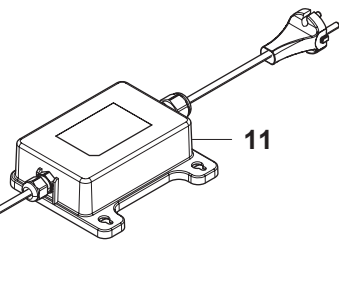
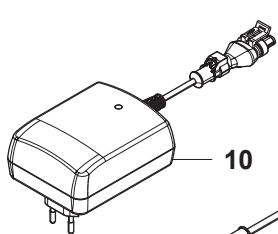
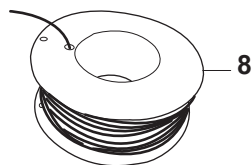
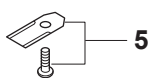
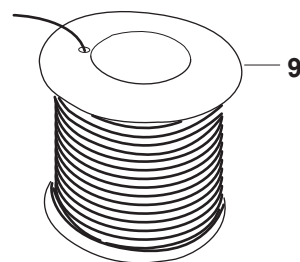
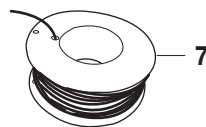
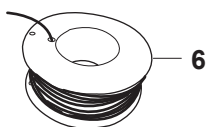
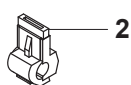
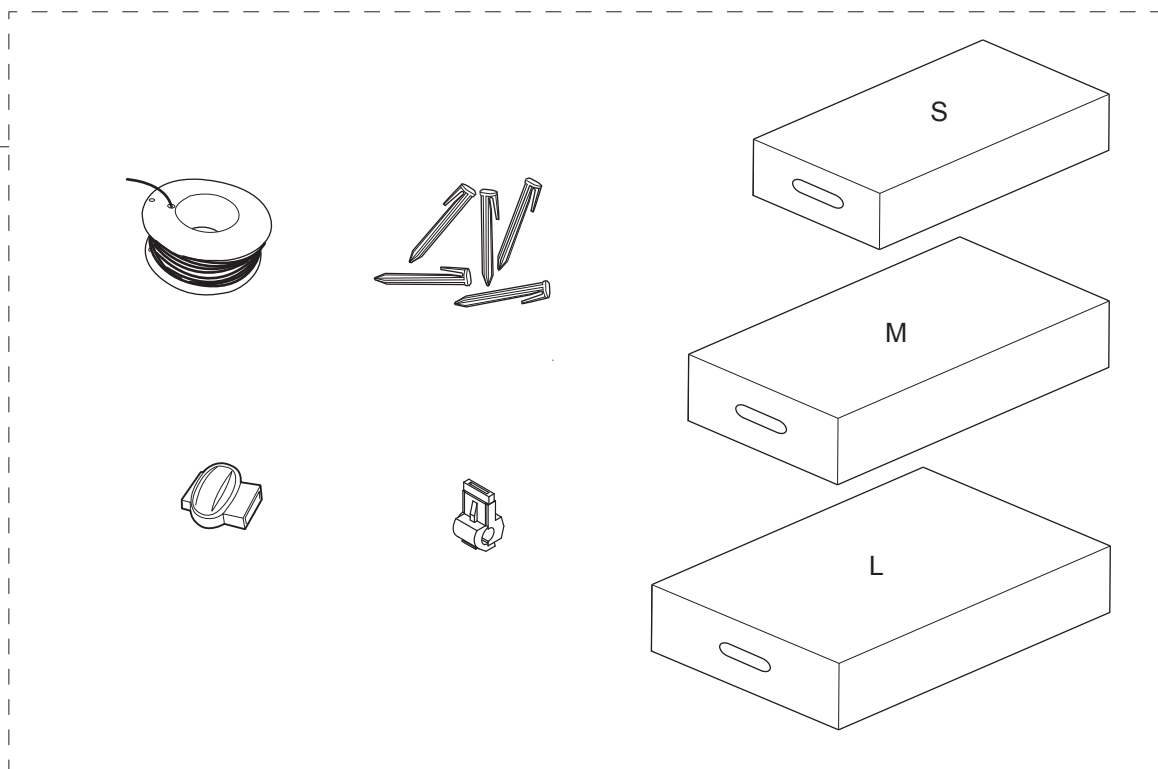
G AUTOMOWER 310, 315
CHARGING STATION



Page G 310, 315		CHARGING STATION		
Position	Article	Quantity	Notes	Kit / Assy
1	585 16 40-01	1	Charging Station	
2	585 07 11-02	1	Cap	
3	579 46 24-02	1	Button - Release	
4	574 48 70-01	1	Spring	
5	580 51 14-01	2	Spring	
6	579 45 80-04	1	Frame	
7	575 54 33-14	4	Screw	
8	579 46 05-01	2	Distance	
9	580 51 14-01	2	Spring	
10	585 53 95-01	1	Loom Charging Contact	
11	734 11 37-41	2	Washer	
12	575 54 33-14	2	Screw	
13	575 54 33-14	2	Screw	
14	535 12 87-02	1	Lens	
15	585 07 14-01	1	Lid	
16	580 50 41-01	3	Terminal	
17	579 45 98-01	1	Panel	
18	579 45 99-01	1	Holder	
19	588 41 61-01	1	Housing	
20	587 65 15-01	1	Loom	19
21	575 54 33-14	4	Screw	
22	585 91 93-01	1	Cover	
23	587 65 16-02	1	Charging Plate KIT	
24	584 92 64-01	1	Printed Circuit ASSY	

H AUTOMOWER 310, 315 INSTALLATION ACCESSORIES

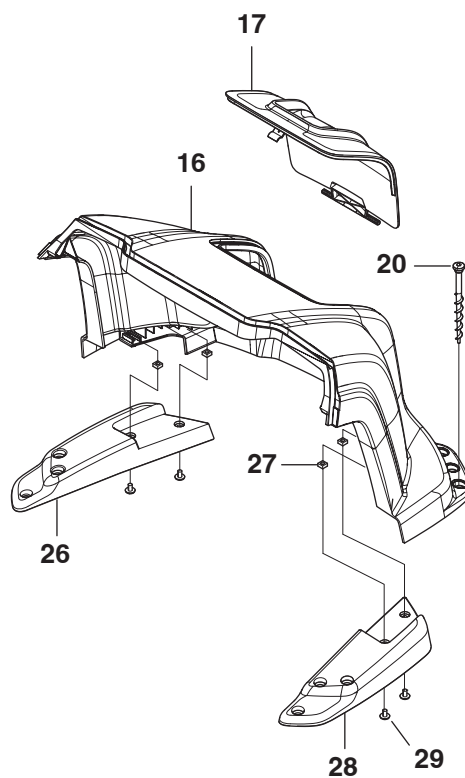
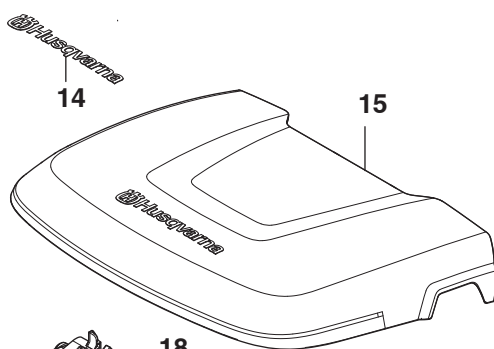
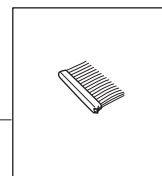
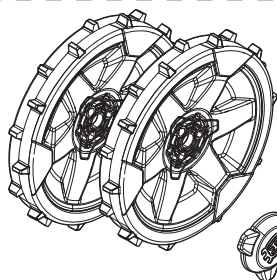
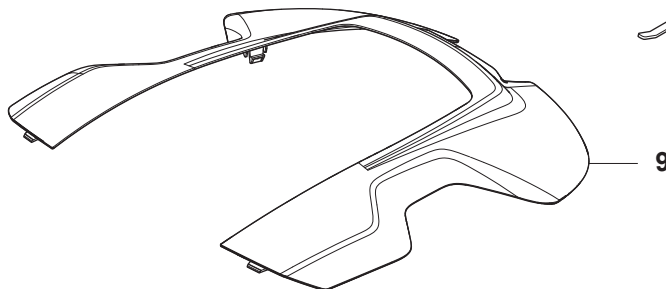
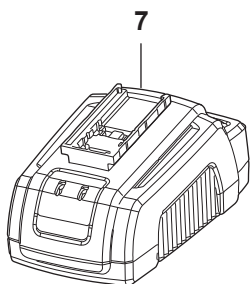
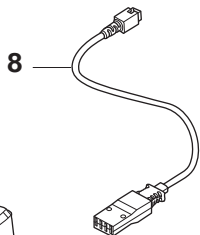
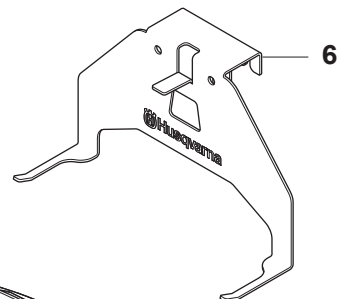
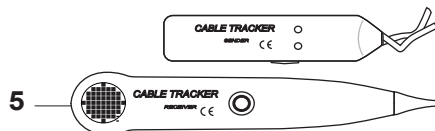
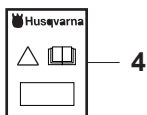
1



Page H 310, 315		INSTALLATION ACCESSORIES		
Position	Article	Quantity	Notes	Kit / Assy
1	967 62 36-01	1	Installation KIT S: Wire (150 m), Staples (300 pcs), Connectors (3 pcs), Couplers (5 pcs)	
1	967 62 36-02	1	Installation KIT M: Wire (250 m), Staples (400 pcs), Connectors (3 pcs), Couplers (5 pcs)	
1	967 62 36-03	1	Installation KIT L: Wire (400 m), Staples (600 pcs), Connectors (5 pcs), Couplers (5 pcs)	
2	535 12 90-01	1	Loop Wire Connector	
2	577 86 48-01	1	Loop Wire Connector, Blister Pack, 5 pcs	
3	501 98 02-01	1	Coupler	
3	577 86 47-01	2	Coupler, Blister Pack, 5 pcs	
3	501 98 02-03	1	Coupler, 100 pcs	
4	583 97 34-01	1	Staples, 100 pcs	
5	577 86 46-02	1	Long Life - Safety Blade, Blister Pack, 9 pcs	
5	577 60 65-04	1	Long Life - Safety Blade, 45 pcs	
5	577 60 66-03	1	Long Life - Safety Blade, 300 pcs	
6	580 66 20-02	1	Wire (150 m)	
6	577 86 43-01	1	Wire, Blister Pack, (150 m)	
7	580 66 20-01	1	Wire (250 m)	
8	522 91 41-01	1	Wire (500 m)	
9	580 66 20-04	1	Wire (800 m)	
10	584 86 25-01	1	Power Supply Unit EU	
11	584 86 26-02	1	Power Supply Unit UK, IE	
11	584 86 26-03	1	Power Supply Unit CH	
11	584 86 26-04	1	Power Supply Unit US, CA	
11	584 86 26-05	1	Power Supply Unit AU, NZ	
11	584 86 26-06	1	Power Supply Unit JP	
12	544 17 75-01	1	Measuring Tape	
13	580 43 38-01	1	Low Voltage Cable 20 m	
14	580 43 38-02	1	Low Voltage Cable 10 m	
15	580 43 38-03	1	Low Voltage Cable 3 m	
16	115 78 63-01	1	Operator's Manual, Swedish	
16	115 78 63-06	1	Operator's Manual, Danish	
16	115 78 63-11	1	Operator's Manual, Finnish	
16	115 78 63-21	1	Operator's Manual, Norwegian	
16	115 78 63-26	1	Operator's Manual, English	
16	115 78 63-31	1	Operator's Manual, French	
16	115 78 63-32	1	Operator's Manual, French (CA)	
16	115 78 63-36	1	Operator's Manual, Dutch	
16	115 78 63-41	1	Operator's Manual, Italian	
16	115 78 63-46	1	Operator's Manual, Spanish	
16	115 78 63-51	1	Operator's Manual, German	
16	115 78 63-56	1	Operator's Manual, Russian	
16	115 78 63-58	1	Operator's Manual, Hungarian	
16	115 78 63-59	1	Operator's Manual, Portuguese	
16	115 78 63-61	1	Operator's Manual, Polish	
16	115 78 63-62	1	Operator's Manual, Romanian	
16	115 78 63-63	1	Operator's Manual, Estonian	
16	115 78 63-64	1	Operator's Manual, Latvian	
16	115 78 63-65	1	Operator's Manual, Lithuanian	
16	115 78 63-68	1	Operator's Manual, Slovakian	
16	115 78 63-71	1	Operator's Manual, Greek	
16	115 78 63-76	1	Operator's Manual, Turkish	
16	115 78 63-79	1	Operator's Manual, Japanese	
16	115 78 63-81	1	Operator's Manual, Croatian	
16	115 78 63-84	1	Operator's Manual, Slovenian	
16	115 78 63-90	1	Operator's Manual, Czech	
16	115 78 63-95	1	Operator's Manual, English: EPA, CARB	
16	115 78 63-96	1	Operator's Manual, Spanish (US)	
17	115 78 65-10	1	Quick Guide, Swedish, Danish, Norwegian, Finnish	
17	115 78 65-20	1	Quick Guide, German, French, Dutch, Slovenian	
17	115 78 65-30	1	Quick Guide, Spanish, Portuguese, Italian, English	

17	115 78 65-38	1	Quick Guide, English, Spanish, French, Japanese	
17	115 78 65-39	1	Quick Guide, German, French, Italian, English	
17	115 78 65-40	1	Quick Guide, Russian, Estonian, Latvian, Lithuanian	
17	115 78 65-50	1	Quick Guide, Czech, Slovak, Polish, Hungarian	
17	115 78 65-93	1	Quick Guide, Croatian, Turkish, Romanian, Greek	
18	575 23 86-03	1	Screw KIT, 5 pcs	
19	586 27 79-01	1	Sticker, Cable Markers, 10 pcs	
20	579 57 12-01	1	Label Alarm	

**AUTOMOWER 310, 315
ACCESSORIES**



Page I 310, 315		ACCESSORIES		
Position	Article	Quantity	Notes	Kit / Assy
1	577 85 81-03	1	DVD Autocheck EXP	
2	577 51 81-02	1	Service Cable (USB)	
3	522 91 67-01	1	Bag	
4	584 90 22-01	1	Warranty Seal 10 pcs Note: For warranty claims, please use part number for 1 pcs, see SB	
5	577 60 68-01	1	Interruption Detector	
6	587 22 40-01	1	Wallhanger 310/315	
7	588 40 84-01	1	Quick Charger with Battery Test	
8	588 20 26-01	1	Cable Quick Charger	
9	587 23 58-01	1	Top Cover Grey	
9	587 23 58-02	1	Top Cover White	
9	587 23 58-03	1	Top Cover Orange	
10	587 23 57-01	1	Wheel Brush KIT (Holder x2, Brush x6)	11
11	587 23 53-01	1	Terrain KIT (Brush KIT + Rear wheels)	
12	505 13 28-01	1	Brush, 6 pcs	
13	587 23 61-01	1	House KIT	
14	577 46 90-01	1	Decal	13
15	585 32 35-01	1	Lid	13
16	586 99 38-01	1	Cover Base	13
17	585 32 36-01	1	Hatch	13
18	585 32 40-02	1	Handle Left	13
19	585 32 41-01	1	Rod	13
20	575 23 86-01	1	Screw KIT, 6 pcs	13
21	580 51 14-01	2	Spring	13
22	585 34 16-01	1	Beam	13
23	575 54 33-14	9	Screw	13
24	585 34 15-01	2	Hinge Pin	13
25	585 32 40-01	1	Handle Right	13
26	585 32 38-02	1	Support Left	13
27	503 22 66-01	4	Square Nut	13
28	585 32 38-01	1	Support Right	13
29	535 12 93-03	4	Screw	13